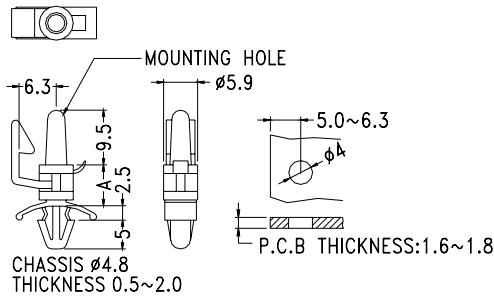
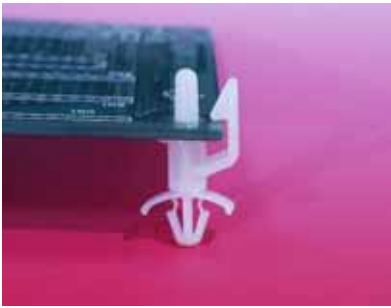
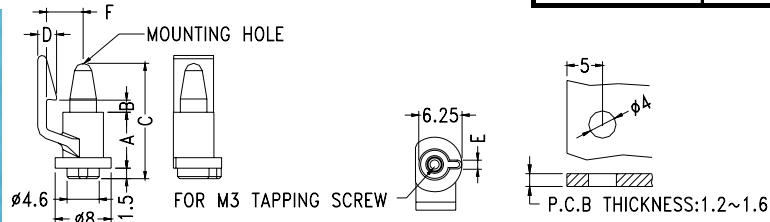


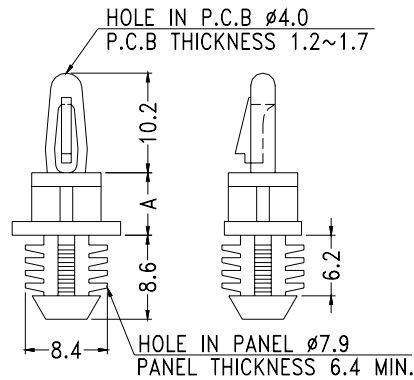
- ◆ MATERIAL: NYLON 66(UL)
- ◆ FLAME CLASS :94V-2
- ◆ COLOR: NATURAL
- ◆ UNIT: mm



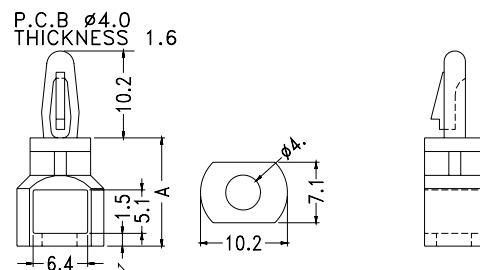
PART NO	A	PACKAGE
ULCB-6	6.3	1000
ULCB-8	8.0	
ULCB-9	9.5	
ULCB-12	12.7	
ULCB-16	15.9	



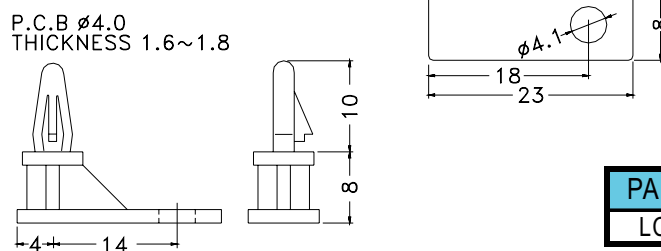
PART NO	A	B	C	D	E	F	PACKAGE
★ ULCC-6	6.3	1.73	14.8	2.7	1.3	5.25	500
ULCC-8	8.0	1.7	16.5				
ULCC-10	10.0	2.24	19.0				
ULCC-12	12.0	1.75	19.8				
ULCC-19	18.55	1.9	27.05	3.8	1.3		



PART NO	A	PACKAGE
WBH-5	4.8	1000
WBH-6	6.4	
WBH-9	9.5	
★ WBH-11	11.1	
WBH-12	12.7	
★ WBH-16	15.9	
★ WBH-19	19.1	
★ WBH-22	22.2	
WBH-25	25.4	



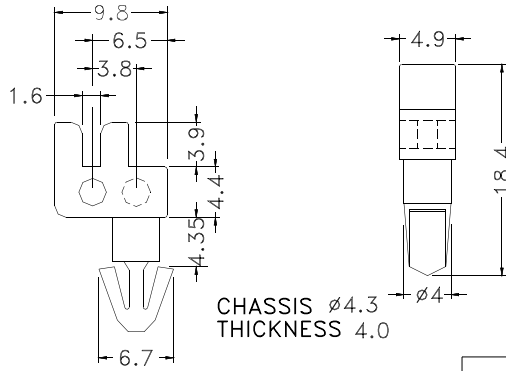
PART NO	A	PACKAGE
SRLCB-9	9.5	1000
SRLCB-11	11.1	
SRLCB-12	12.7	
SRLCB-15	15.9	



PART NO	PACKAGE
LCBL-8	1000

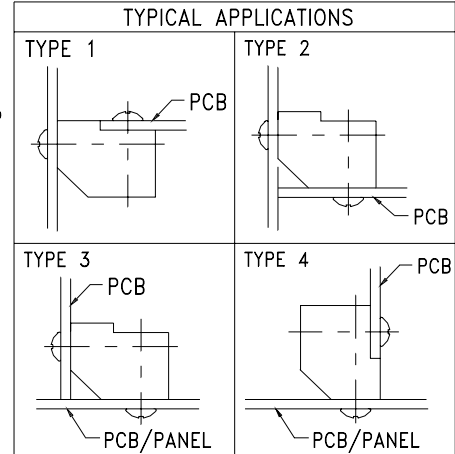
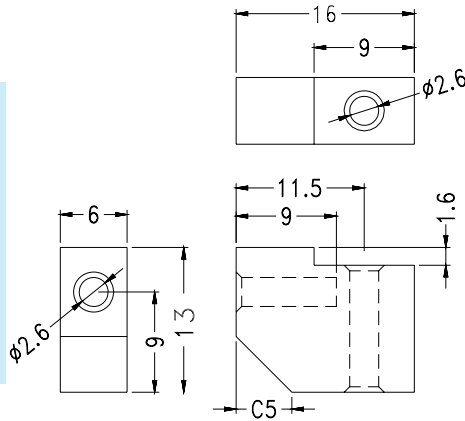
# SPACER SUPPORT - Other Type

Hankook Fastener

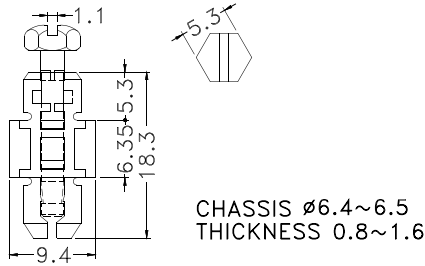


- ◆ MATERIAL: NYLON 66(UL)
- ◆ FLAME CLASS :94V-2
- ◆ COLOR: NATURAL
- ◆ UNIT: mm

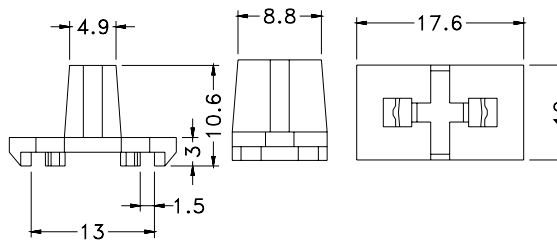
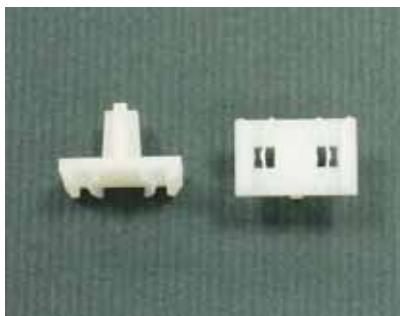
PART NO	PACKAGE
LCU-18	2000



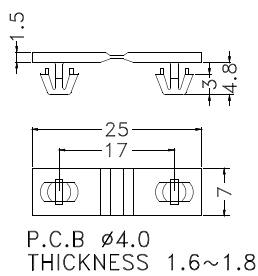
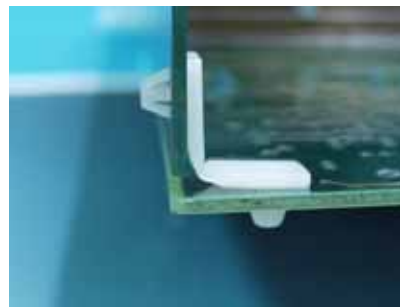
PART NO	PACKAGE
PMB-1	500



PART NO	PACKAGE
SCMB-6.3	1000

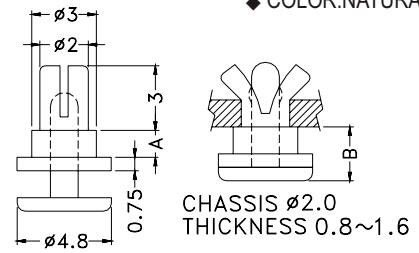
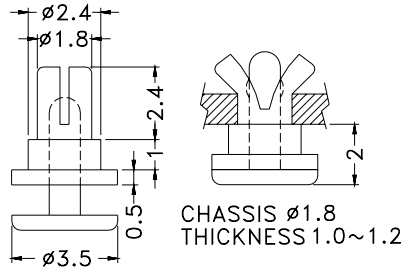


PART NO	PACKAGE
LIH-8	2000



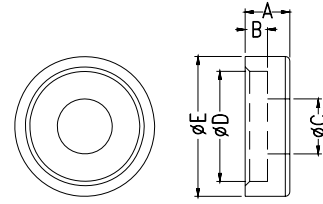
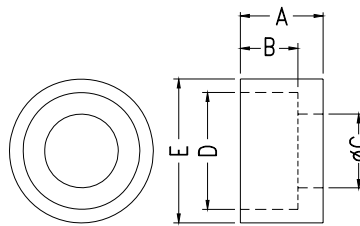
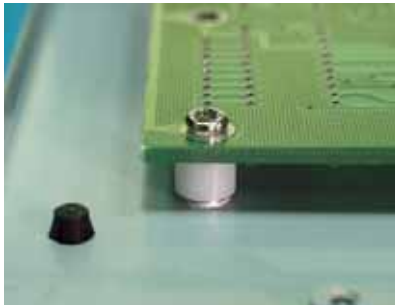
PART NO	PACKAGE
LPZ-1	1000

- ◆ MATERIAL: NYLON 66(UL)
- ◆ FLAME CLASS :94V-2
- ◆ COLOR:NATURAL

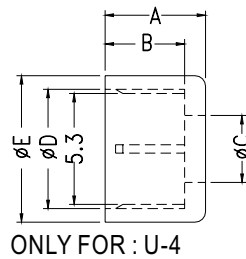
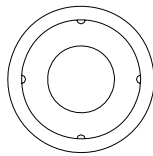


PART NO	PACKAGE
SRMA-2	2000

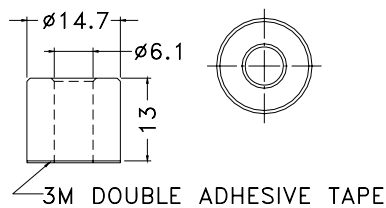
PART NO	A	B	PACKAGE
SRMA-4	2.5	4.0	2000
SRMA-5	3.5	5.0	



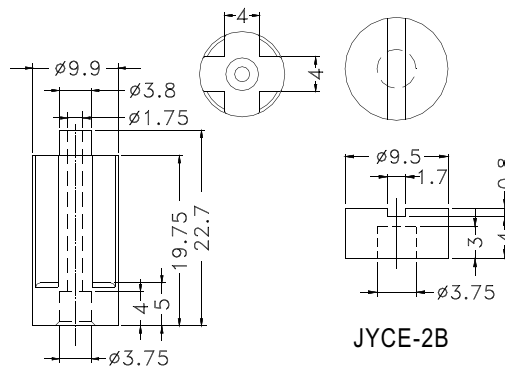
ONLY FOR : U-8



PART NO	A	B	C	D	E	PACKAGE
U-4	4.9	3.8	3.2	5.7	7.0	2000
U-5	4.6	3.2	4.1	6.5	8.0	
U-6	10.0	7.0	3.0	8.5	11.0	1000
U-7	3.1	2.1	3.0	5.5	7.5	2000
★ U-8	3.0	1.5	3.7	7.4	9.4	
★ U-10	4.6	3.6	3.6	7.6	9.1	
★ U-11	4.0	3.0	2.9	6.3	7.8	



PART NO	PACKAGE
6-13A	1000



PART NO	PACKAGE
JYCE-2	500